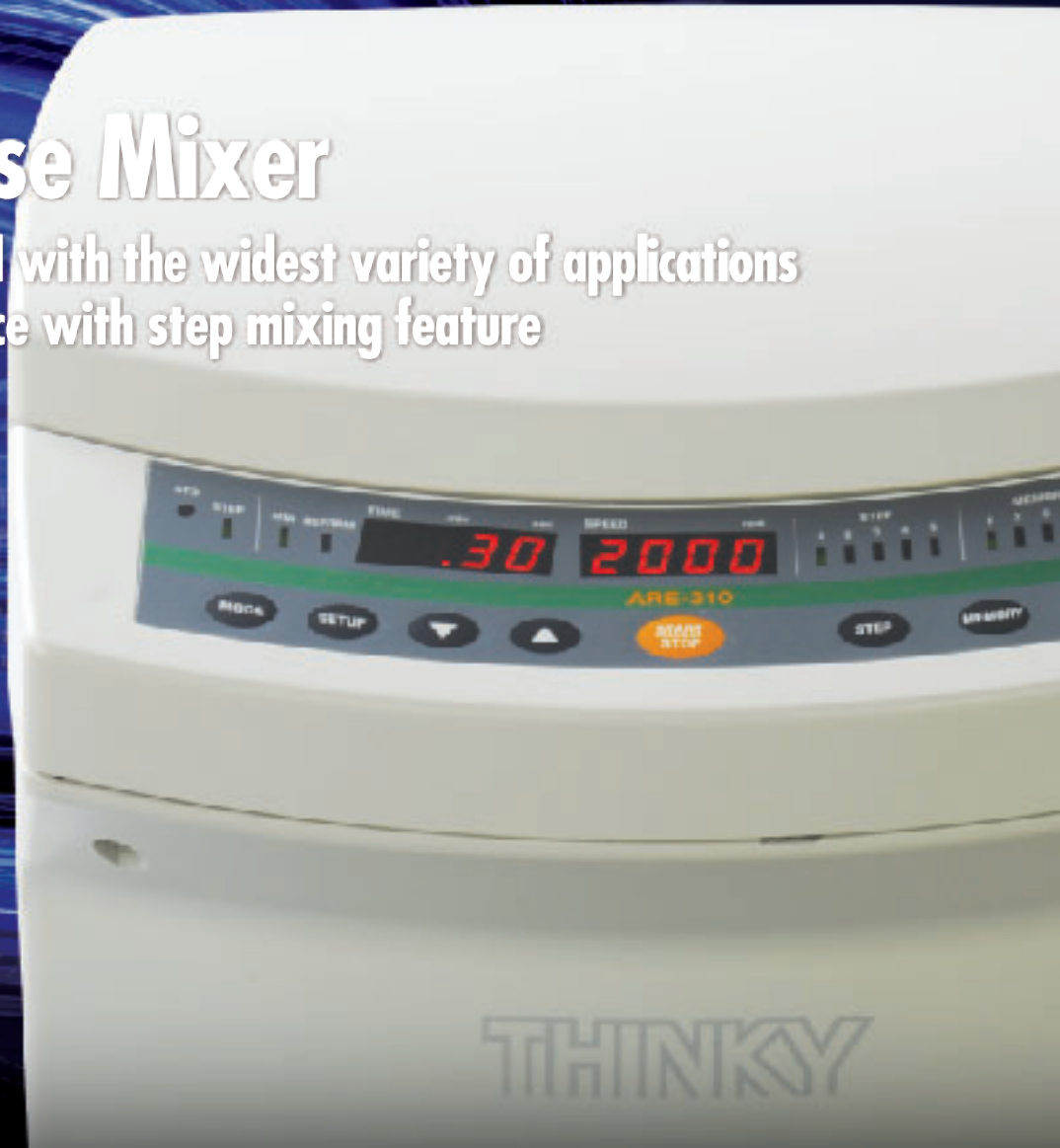


**THINKY**

# Easy to use Mixer

The New standard with the widest variety of applications  
Higher performance with step mixing feature



Planetary Centrifugal Mixer

## THINKY MIXER

# ARE-310

“Mixing mode” enables to mix and deaerate simultaneously, “Deforming mode” provides us the effective deaeration!

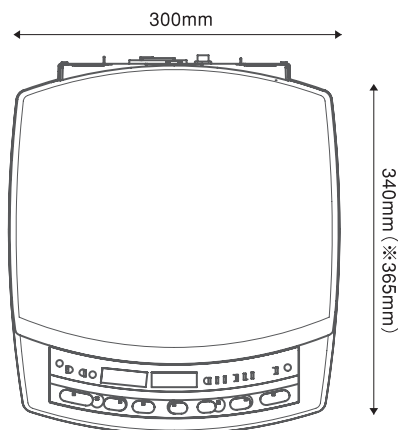
- Powerful mixing capabilities delivered with an acceleration of approximately 400 G created by a revolution speed of 2,000 rpm. Furthermore, Thinky, super mixer, can mix and deaerate simultaneously with one-touch operation.
- The excellent rigidity and durability of revolution section, axis and frames. Higher safety by vibration sensors and the lock functions on the cover.
- In spite of a broadened capacity, the size and weight are compact. The excellent portability for various applications such as in the medical, industrial and academic fields.
- Standard Speed Change feature. Process and control a wide range of materials and improve the quality.
- Standard Step Mixing feature. 5 steps in one batch cycle can be programmed in each 5 memory slot.

Small and  
easy to carry  
Controllable  
Revolution  
speed

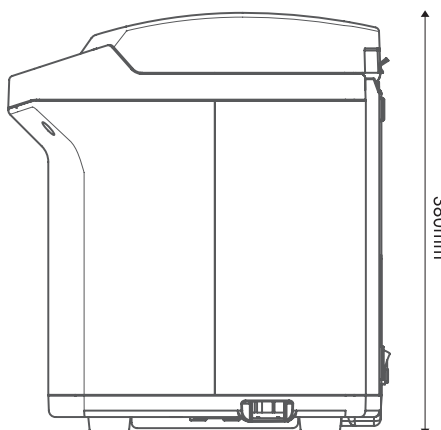


# THINKY MIXER ARE-310

Wide opening for easy loading



ARE-310 control panel



\*Freight Locks are fixed on the back panel.



**Included Accessories**

- 300 ml container ..... 3
- 150 ml container ..... 1
- 150 ml container adapter ... 1

## Planetary Centrifugal Mixer THINKY MIXER ARE-310 Basic Specifications

Model	ARE-310	Memory	5 memories (Each memory holds 5 sequential time and rpm steps.)	Operating Environment	10-35°C, 35-85%RH(Non-condensation)
Product Name	Planetary Centrifugal Mixer THINKY MIXER	Maximum mixing capacity	250ml	Dimensions	H380×W300×D340*(mm) *Freight Locks included : D365mm
System	Planetary propeller-less mixing system	Maximum mixing mass	250g (NET)		Weight
Timer setting range	0 seconds, and 10sec to 30min	Upper limit using a 300ml container	250ml, 250g (NET) 250ml, 310g (GROSS)	Revolution speed	Safety Features
Revolution speed	Mixing mode : Max 2000rpm STD : Fixed 2000rpm STEP : 0rpm, 200-2000rpm	Power Supply	Single Phase AC100V+/-10 50Hz / 60Hz Power consumption Standby : approx.50VA Operating : max.900VA		
	Defoaming mode : Max 2200rpm STD : Fixed 2200rpm STEP : 0rpm, 400-2200rpm				
Rotation speed	Mixing mode : Max 800rpm Follows 1/2.5 of Revolution speed Defoaming mode : Max 60rpm Follows 1/36.7 of Revolution speed	Operating Condition	Indoor use only, Elevation value within 2000m, Pollution degree 2	<p>●Adapters (option)</p>	

- Specification is subject to change without notification.
- Some types of mixing materials may be insufficiently mixed or defoamed (degassed).
- This unit is not designed to be explosion-proof. Do not mix materials that are dangerous or hazardous to humans.
- The mixing results may vary depending on process conditions or materials.

- \* Adapters in the photo are examples. The syringe adapters (3 ml, 5 ml, 10 ml, 30 ml, 50 ml) are available as options.
- \* For the handling of customer-specific containers, contact Thinky.

- Visit our web site for product information and exhibition schedule  
<http://www.thinky.co.jp/english>

- Contact us  
[mixer@thinky.co.jp](mailto:mixer@thinky.co.jp)



THINKY Business Partner ;

**THINKY CORPORATION**  
Pioneer of planetary centrifugal mixers

Headquarters:  
3-7-16 Iwamoto-cho Chiyoda-ku Tokyo #101-0032, Japan  
TEL +81-3-5621-7455 Fax +81-3-3665-7833